

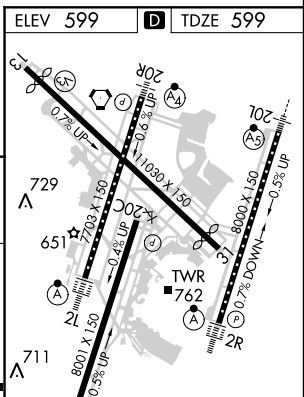
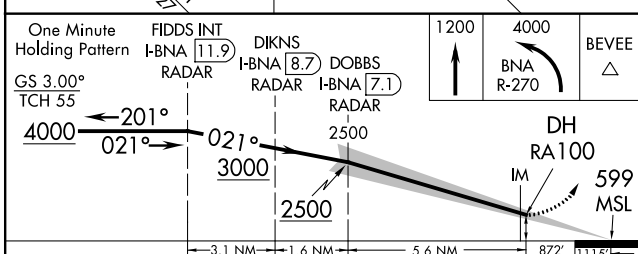
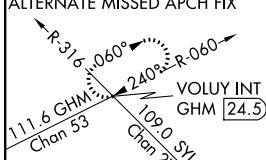
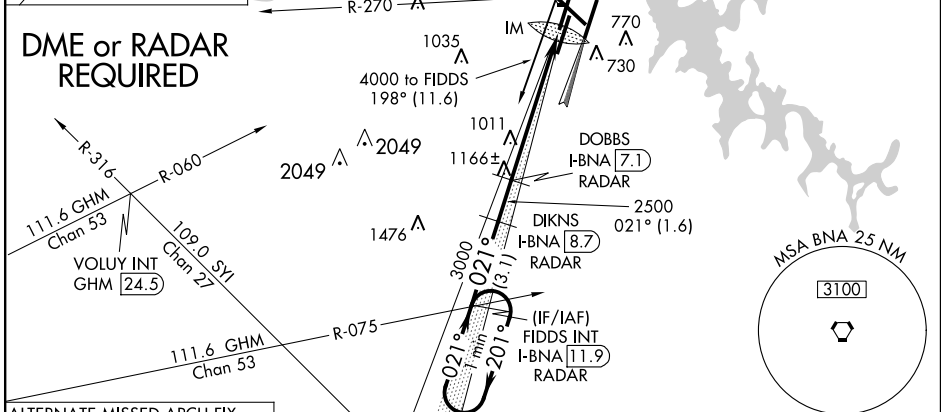
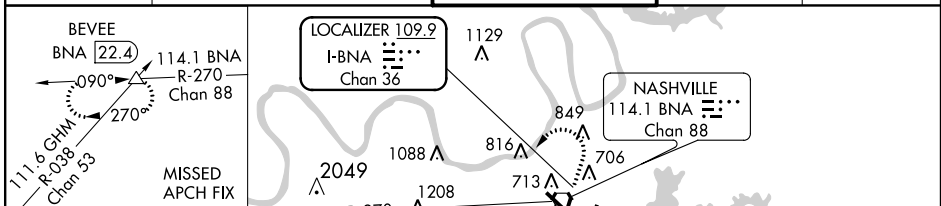
LOC/DME I-BNA 109.9 Chan 36	APP CRS 021°	Rwy Idg TDZE Apt Elev	7702 599 599
---	------------------------	-----------------------------	---

ILS RWY 2L (CAT II)

NASHVILLE INTL (BNA)

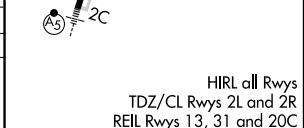
Simultaneous approach authorized with Rwy 2R. DME or radar required.	ALSF-2 	MISSED APPROACH: Climb to 1200 then climbing left turn to 4000 via BNA VORTAC R-270 to BEVEE INT/BNA 22.4 DME and hold.		
		ATIS 135.1	NASHVILLE APP CON 200°-018° 120.6 372.0 019°-199° 127.175 360.7	NASHVILLE TOWER 118.6 257.8

ATIS 135.1	NASHVILLE APP CON 200°-018° 120.6 372.0 019°-199° 127.175 360.7	NASHVILLE TOWER 118.6 257.8	GND CON 121.9 348.6	CLNC DEL 126.05
----------------------	---	---------------------------------------	-------------------------------	---------------------------



CATEGORY	A	B	C	D
S-ILS 2L		RA 100/12	100	DA 699

CATEGORY II ILS - SPECIAL AIRCREW & AIRCRAFT CERTIFICATION REQUIRED



SE-1, 07 FEB 2013 to 07 MAR 2013

SE-1, 07 FEB 2013 to 07 MAR 2013