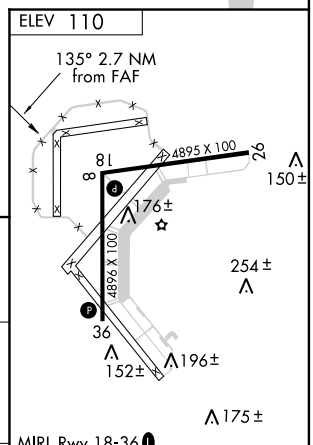
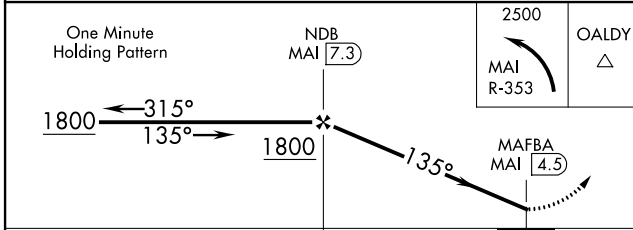
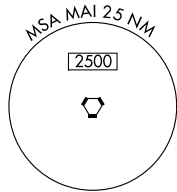
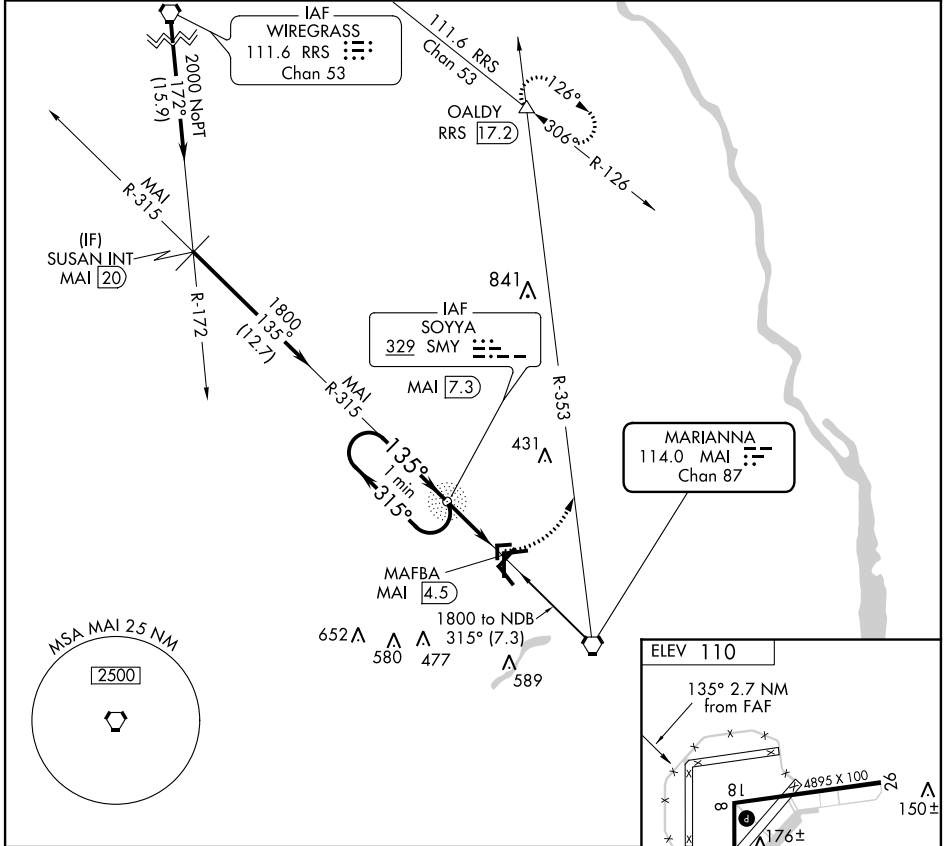


VORTAC MAI 114.0 Chan 87	APP CRS 135°	Rwy Idg TDZE Apt Elev 110	N/A N/A
--	------------------------	--	--------------------------

VOR-B
MARIANNA MUNI (MAI)

▼ Visibility reduction by helicopters NA. ADF or DME required.
 ▲ When local altimeter setting not received, use Bainbridge altimeter setting.
 MISSED APPROACH: Climbing left turn to 2500 via MAI R-353 to OALDY INT/RRS 17.2 DME and hold.

ASOS 133.525	CAIRNS APP CON * 133.75 270.35	UNICOM 123.0 (CTAF) 0
------------------------	--	---------------------------------



CATEGORY	A	B	C	D	FAF to MAP 2.7 NM					
CIRCLING	720-1	610 (700-1)	720-1¾ 610 (700-1¾)	720-2 610 (700-2)	Knots	60	90	120	150	180
					Min:Sec	2:42	1:48	1:21	1:05	0:54

SE-3, 07 FEB 2013 to 07 MAR 2013

SE-3, 07 FEB 2013 to 07 MAR 2013