

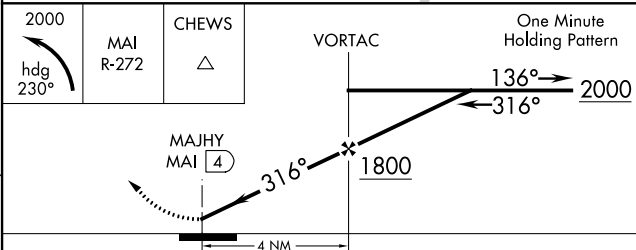
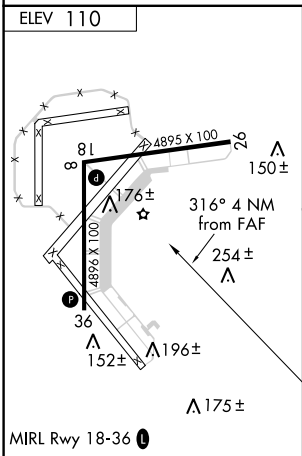
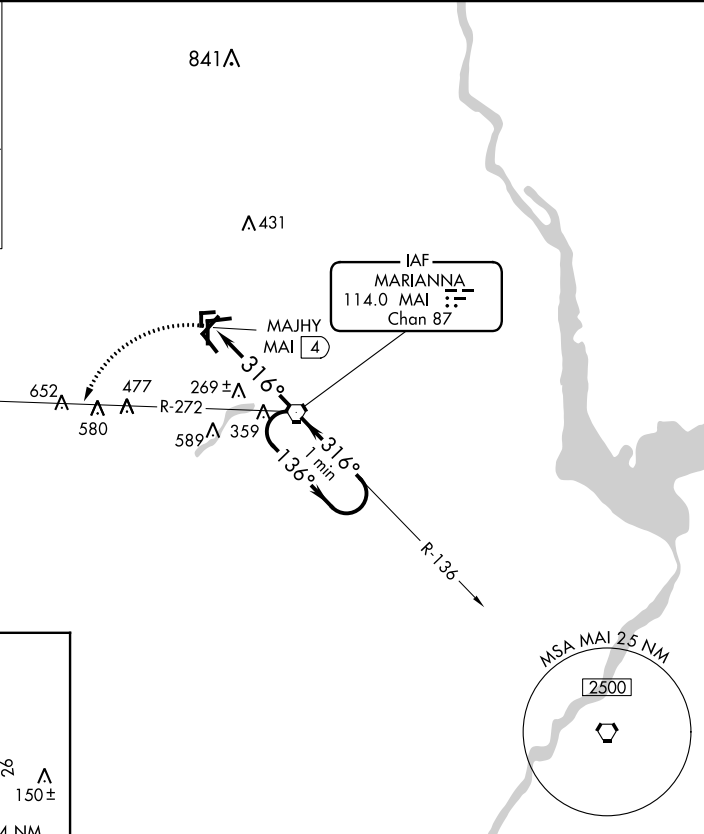
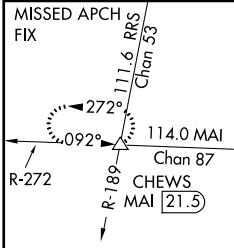
VORTAC MAI <b>114.0</b> Chan 87	APP CRS <b>316°</b>	Rwy ldg TDZE <b>N/A</b> Apt Elev <b>110</b>
---------------------------------------	------------------------	---

**VOR-A**  
MARIANNA MUNI (MAI)

**⚠** Visibility reduction by helicopters NA. When local altimeter setting not received, use Bainbridge altimeter setting and increase all MDA 80 feet.

**MISSED APPROACH:** Climbing left turn to 2000 via heading 230° and MAI R-272 to CHEWS INT/MAI 21.5 DME and hold.

ASOS <b>133.525</b>	CAIRNS APP CON ★ <b>133.75 270.35</b>	UNICOM <b>123.0 (CTAF) 0</b>
------------------------	--	---------------------------------



FAF to MAP 4 NM					
Knots	60	90	120	150	180
Min:Sec	4:00	2:40	2:00	1:36	1:20

CATEGORY	A	B	C	D
CIRCLING	580-1	470 (500-1)	620-1½ 510 (600-1½)	660-2 550 (600-2)

SE-3, 07 FEB 2013 to 07 MAR 2013

SE-3, 07 FEB 2013 to 07 MAR 2013