

APP CRS	Rwy Idg	<b>4896</b>
<b>182°</b>	TDZE	<b>110</b>
	Apt Elev	<b>110</b>

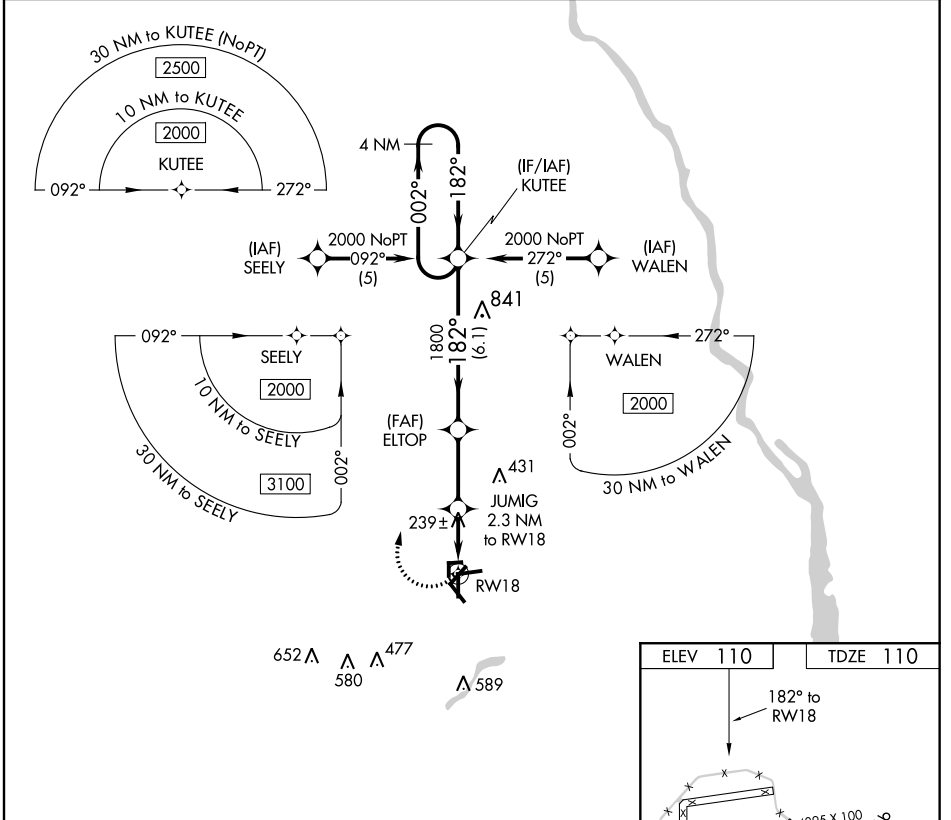
# RNAV (GPS) RWY 18

MARIANNA MUNI (MAI)

**⚠** DME/DME RNP-0.3 NA. Visibility reduction by helicopters NA.  
**⚠** When local altimeter setting not received, use Bainbridge altimeter setting and increase all MDA 80 feet and increase LNAV Cat D visibility ¼ mile.

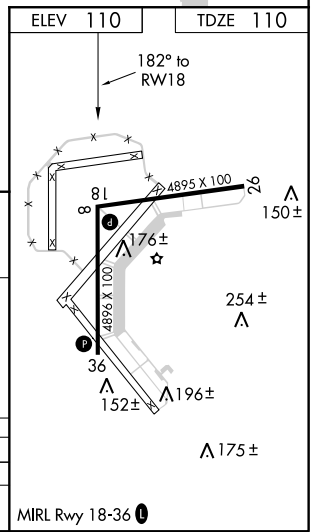
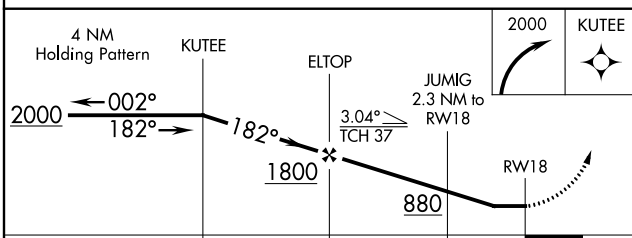
**MISSED APPROACH:** Climbing right turn to 2000 direct KUTEE and hold.

ASOS <b>133.525</b>	CAIRNS APP CON * <b>133.75 270.35</b>	UNICOM <b>123.0 (CTAF) 0</b>
------------------------	--	---------------------------------



SE-3, 07 FEB 2013 to 07 MAR 2013

SE-3, 07 FEB 2013 to 07 MAR 2013



CATEGORY	A	B	C	D
LNAV MDA	520-1	410 (500-1)	520-1¼	410 (500-1¼)
CIRCLING	580-1	470 (500-1)	620-1½	660-2
			510 (600-1½)	550 (600-2)

MIRL Rwy 18-36 0