

VORTAC JOT 112.3 Chan 70	APP CRS 102°	Rwy Idg 2717 TDZE 582 Apt Elev 582
--	------------------------	---

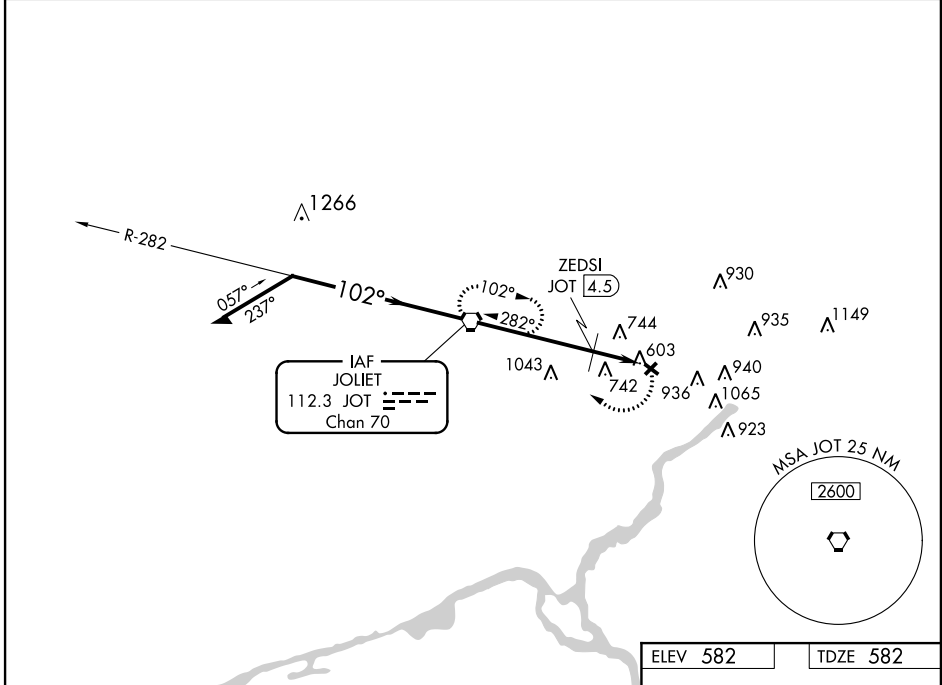
VOR RWY 12

JOLIET RGNL (JOT)

⚠ When local altimeter setting not received, use Lewis University altimeter setting and increase all MDA 40 feet and increase Circling Cat B visibility ¼ mile and ZEDSI fix minimums Circling Cat B visibility ¼ mile. Visibility reduction by helicopters NA.

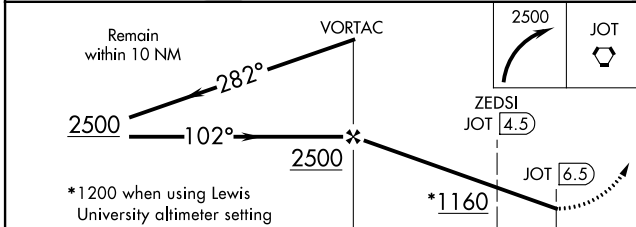
MISSED APPROACH:
Climbing right turn to 2500 direct JOT VORTAC and hold.

AWOS-3 119.975	CHICAGO APP CON 119.35 354.075	UNICOM 122.7 (CTAF) 0
--------------------------	--	---------------------------------



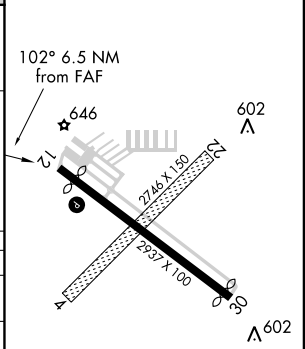
EC-3, 07 FEB 2013 to 07 MAR 2013

EC-3, 07 FEB 2013 to 07 MAR 2013



ELEV 582	TDZE 582
----------	----------

CATEGORY	A	B	C	D
S-12	1160-1	578 (600-1)		NA
CIRCLING	1160-1 578 (600-1)	1300-1 718 (800-1)		NA
ZEDSI FIX MINIMUMS				
S-12	1100-1	518 (600-1)		NA
CIRCLING	1100-1 518 (600-1)	1300-1 718 (800-1)		NA



REIL Rwy 12 MIRL Rwy 12-30 0
FAF to MAP 6.5 NM
Knots 60 90 120 150 180
Min:Sed 6:30 4:20 3:15 2:36 2:10