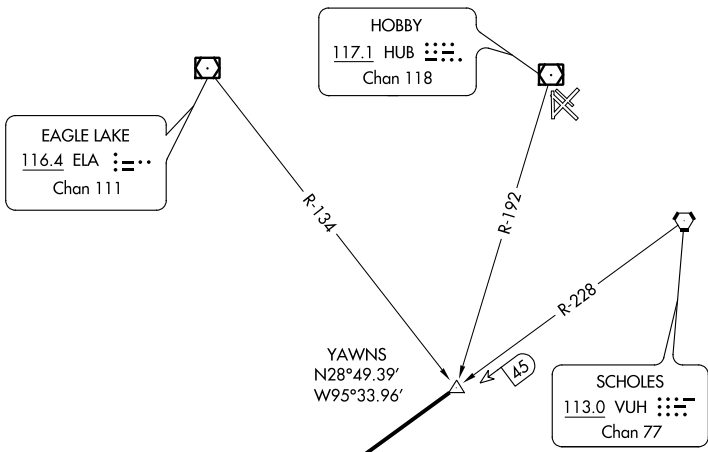


TRUAX TWO DEPARTURE

SL-198 (FAA)

HOUSTON/ WILLIAM P. HOBBY (HOU)
HOUSTON, TEXAS

ATIS
 124.6
 CLNC DEL
 125.45
 GND CON
 121.9
 HOBBY TOWER
 118.7 256.9
 HOUSTON DEP CON
 127.125 269.075



TRUAX
 114.0 NGP
 Chan 87
 N27°41.18' - W97°17.69'
 L-20-21

EAGLE LAKE
 116.4 ELA
 Chan 111

HOBBY
 117.1 HUB
 Chan 118

SCHOLES
 113.0 VUH
 Chan 77

YAWNS
 N28°49.39'
 W95°33.96'

TAKE-OFF MINIMUMS:
 Rwy 12L/R, 30L/R, 35 standard.
 Rwy 4, 200-1 or standard with minimum climb of 270' per NM to 300'.
 Rwy 17, 200-1 or standard with minimum climb of 827' per NM to 300'.
 Rwy 22, standard with minimum climb of 290' per NM to 1500.

Note: For aircraft filed FL180 and above to Rio Grande Valley area or for aircraft filed FL180 and above overflying NGP VORTAC to international destinations.

NOTE: Chart not to scale.

(NOTES CONTINUED ON FOLLOWING PAGE)

NOTE: Radar Required.

DEPARTURE ROUTE DESCRIPTION

Expect vectors to YAWNS INT, maintain 5000', expect filed altitude 10 minutes after departure. Thence. . . .
 via VUH R-228 and NGP R-047 to NGP VORTAC.

SC-5, 07 FEB 2013 to 07 MAR 2013

SC-5, 07 FEB 2013 to 07 MAR 2013