

NDB GIW	APP CRS	Rwy Idg	5003
239	269°	TDZE	629
		Apt Elev	631

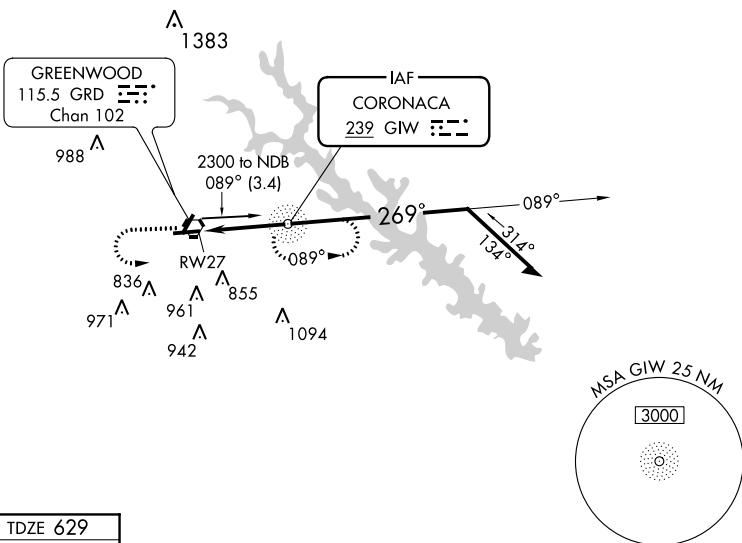
NDB or GPS RWY 27

GREENWOOD COUNTY (GRD)

⚠ When local altimeter setting not received, use Anderson altimeter setting. Inoperative table does not apply to S-27 Cat. C and Anderson altimeter setting minimums S-27 Cat. C.

ODALS MISSED APPROACH: Climb to 1600 then climbing left turn to 2300 direct GIW NDB and hold.

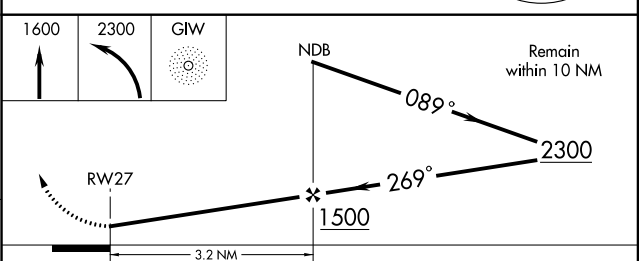
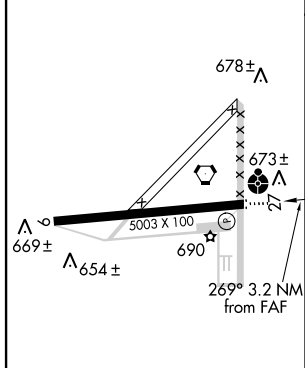
ASOS 121.125	GREER APP CON ★ 120.6 350.2	UNICOM 122.8 (CTAF) 0
------------------------	---------------------------------------	--



SE-2, 07 FEB 2013 to 07 MAR 2013

SE-2, 07 FEB 2013 to 07 MAR 2013

ELEV 631	TDZE 629
----------	----------



MIRL Rwy 9-27 **0**
REIL Rwys 9 and 27 **0**

FAF to MAP 3.2 NM

Knots	60	90	120	150	180
Min:Sec	3:12	2:08	1:36	1:17	1:04

CATEGORY	A	B	C	D
S-27	1060- ³ / ₄	431 (500- ³ / ₄)	1060- ¹ / ₄ 431 (500- ¹ / ₄)	1060- ¹ / ₂ 431 (500- ¹ / ₂)
CIRCLING	1080-1 449 (500-1)	1100-1 469 (500-1)	1100- ¹ / ₂ 469 (500- ¹ / ₂)	1280-2 649 (700-2)
ANDERSON ALTIMETER SETTING MINIMUMS				
S-27	1160- ³ / ₄	531 (600- ³ / ₄)	1160- ¹ / ₂ 531 (600- ¹ / ₂)	1160- ¹ / ₄ 531 (600- ¹ / ₄)
CIRCLING	1180-1	549 (600-1)	1180- ¹ / ₂ 549 (600- ¹ / ₂)	1360- ² / ₄ 729 (800- ² / ₄)