

APP CRS <b>356°</b>	Rwy Idg <b>5949</b>
	TDZE <b>1954</b>
	Apt Elev <b>1954</b>

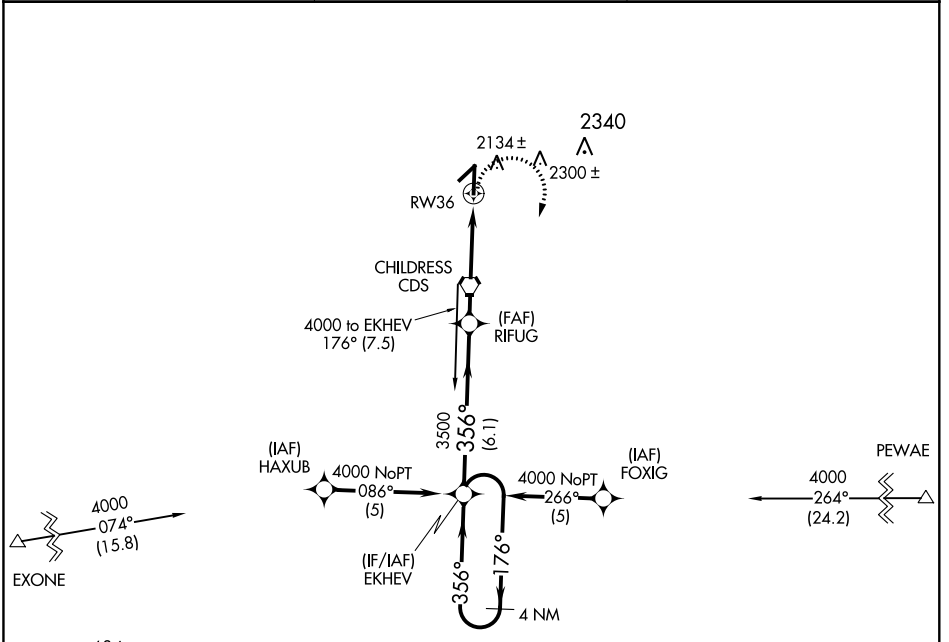
# RNAV (GPS) RWY 36

CHILDRESS MUNI (CDS)

**⚠** DME/DME RNP-0.3 NA. When local altimeter setting not received, use Altus Quartz Mountain Rgnl altimeter setting and increase all MDA 200 feet. Increase LNAV Cat C visibility 1/2 mile, Cat D visibility 3/4 mile, increase circling Cat B visibility 1/4 mile, Cat C visibility 3/4 mile, and Cat D visibility 1/2 mile. VDP NA with Altus Quartz Mountain Rgnl altimeter setting.

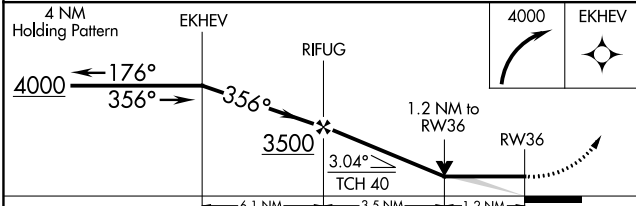
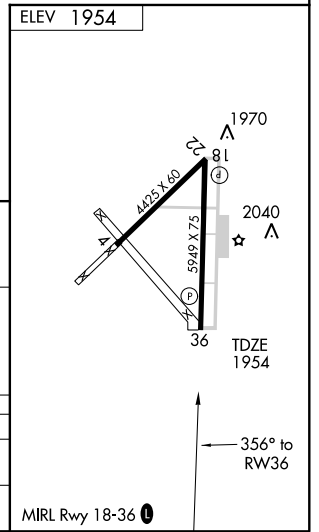
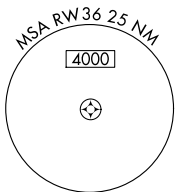
**⚠** MISSED APPROACH: Climbing right turn to 4000 direct EKHEV and hold.

ASOS <b>135.125</b>	FORT WORTH CENTER <b>133.5 350.35</b>	UNICOM <b>122.8 (CTAF) 0</b>
------------------------	--	---------------------------------



SC-2, 07 FEB 2013 to 07 MAR 2013

SC-2, 07 FEB 2013 to 07 MAR 2013



CATEGORY	A	B	C	D
LNAV MDA	2380-1	426 (500-1)	2380-1 1/4	426 (500-1 1/4)
CIRCLING	2500-1	546 (600-1)	2500-1 1/2	2520-2
			546 (600-1 1/2)	566 (600-2)

MIRL Rwy 18-36 0