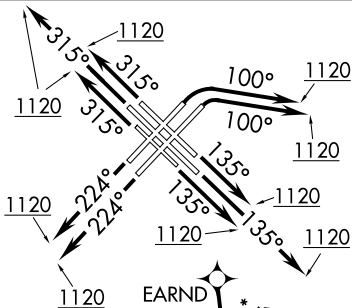


ELANR ONE DEPARTURE (RNAV)

ATIS
 132.75
 GND CON
 121.65
 MIDWAY TOWER
 118.7 269.125
 MIDWAY DEP CON
 119.35 354.075

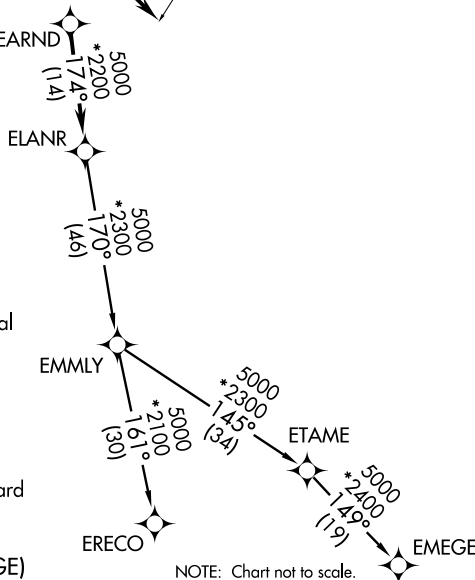


- NOTE: RADAR required.
- NOTE: DME/DME/IRU or GPS required.
- NOTE: RNAV 1.
- NOTE: TURBOJETS departures maintain 250K until advised by ATC.

NOTE: EMMLY Transition: For aircraft inbound to Indianapolis Terminal Area, or as assigned by ATC.

TAKEOFF MINIMUMS:

Rwys 4L/R, 13L/C/R, 22L/R, 31L/C/R: Standard



(NOTES CONTINUED ON FOLLOWING PAGE)

NOTE: Chart not to scale.

DEPARTURE ROUTE DESCRIPTION

TAKEOFF RWYS 4L/R: Climb heading 100° or as assigned by ATC to 1120, expect vectors to EARND. Thence

TAKEOFF RWYS 13L/C/R: Climb heading 135° or as assigned by ATC to 1120, expect vectors to EARND. Thence

TAKEOFF RWYS 22L/R: Climb heading 224° or as assigned by ATC to 1120, expect vectors to EARND. Thence

TAKEOFF RWYS 31L/C/R: Climb heading 315° or as assigned by ATC to 1120, expect vectors to EARND. Thence

. . . . on track 174° to ELANR, then on (transition). Maintain 3000. Expect filed altitude 10 minutes after departure.

EMEGE TRANSITION (ELANR1.EMEGE)

EMMLY TRANSITION (ELANR1.EMMLY)

ERECO TRANSITION (ELANR1.ERECO)

ELANR ONE DEPARTURE (RNAV)