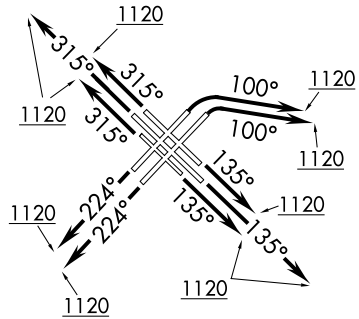


(CARYN1.CARYN) 13010

CARYN ONE DEPARTURE (RNAV) SL-81 (FAA)

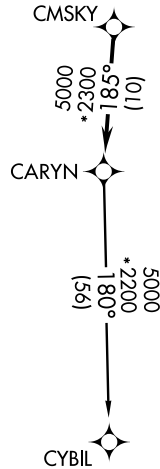
CHICAGO MIDWAY INTL (MDW)
CHICAGO, ILLINOIS

ATIS
132.75
GND CON
121.65
MIDWAY TOWER
118.7 269.125
CHICAGO DEP CON
119.35 354.075



NOTE: RADAR required.
NOTE: DME/DME/IRU or GPS required.
NOTE: RNAV1.
NOTE: TURBOJET departures, maintain
250K until advised by ATC.

TAKEOFF MINIMUMS:
Rwys 4L/R, 13L/C/R, 22L/R, 31L/C/R: Standard.



EC-3, 07 FEB 2013 to 07 MAR 2013

EC-3, 07 FEB 2013 to 07 MAR 2013

(NOTES CONTINUED ON FOLLOWING PAGE)

NOTE: Chart not to scale.

DEPARTURE ROUTE DESCRIPTION

TAKEOFF RWYS 4L, 4R: Climb heading 100° or as assigned by ATC to 1120, expect vectors to CMSKY. Thence. . . .

TAKEOFF RWYS 13L, 13C, 13R: Climb heading 135° or as assigned by ATC to 1120, expect vectors to CMSKY. Thence. . . .

TAKEOFF RWYS 22L, 22R: Climb heading 224° or as assigned by ATC to 1120, expect vectors to CMSKY. Thence. . . .

TAKEOFF RWYS 31L, 31C, 31R: Climb heading 315° or as assigned by ATC to 1120, expect vectors to CMSKY. Thence. . . .

. . . on track 185° to CARYN, then on (transition). Maintain 3000. Expect filed altitude 10 minutes after departure.

CYBIL TRANSITION (CARYN1.CYBIL)

CARYN ONE DEPARTURE (RNAV)
(CARYN1.CARYN) 13010

CHICAGO, ILLINOIS
CHICAGO MIDWAY INTL (MDW)