

PHOENIX, ARIZONA

AL-74 (FAA)

RNAV (GPS) RWY 12C

PHOENIX-MESA GATEWAY (IWA)

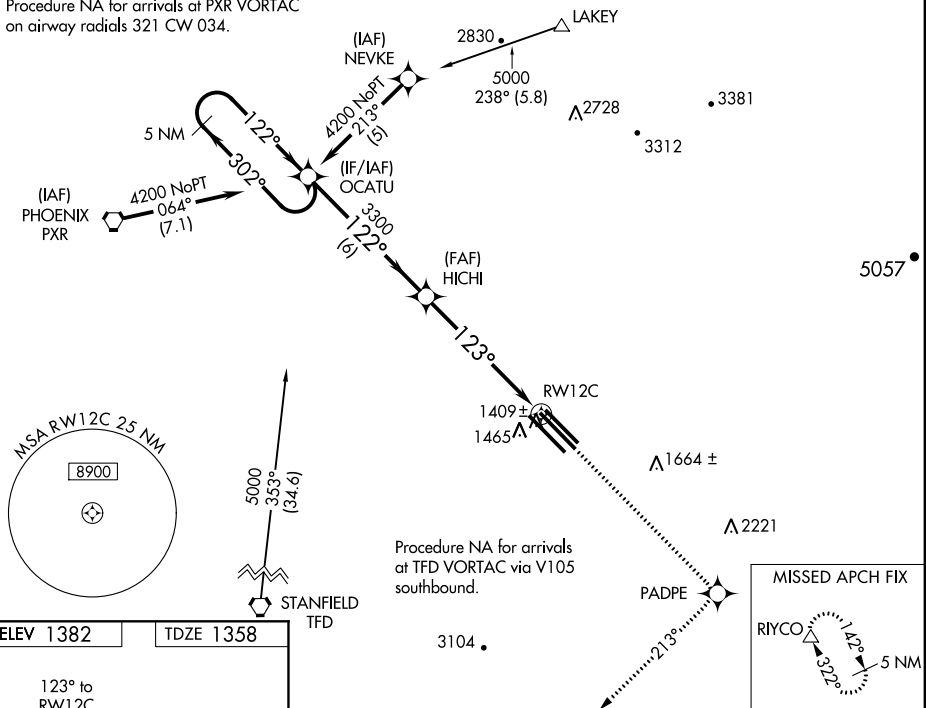
WAAS CH 58200 W12A	APP CRS 123°	Rwy Idg 10201 TDZE 1358 Apt Elev 1382
--	------------------------	--

▼ DME/DME RNP-0.3 NA.
For uncompensated Baro-VNAV systems LNAV/VNAV NA below -17°C (2°F) or above 46°C (115°F).

MISSED APPROACH: Climb to 5000 direct PADPE and via 213° track to RYCO and hold.

ATIS 133.5 270.275	PHOENIX APP CON 124.9 353.8	GATEWAY TOWER * 120.6 (CTAF) 289.4 (WEST) 124.75 379.225 (EAST)	GND CON 128.25 275.8	CLNC DEL 135.05
------------------------------	---------------------------------------	--	--------------------------------	---------------------------

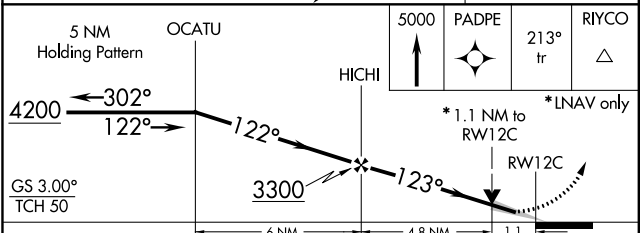
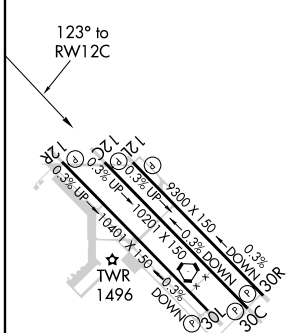
Procedure NA for arrivals at PXR VORTAC on airway radials 321 CW 034.



SW-4, 07 FEB 2013 to 07 MAR 2013

SW-4, 07 FEB 2013 to 07 MAR 2013

ELEV 1382	TDZE 1358
-----------	-----------



CATEGORY	A	B	C	D	E
LPV DA	1608-1 250 (300-1)				
LNAV/VNAV DA	1685-1¼ 327 (400-1¼)				
LNAV MDA	1740-1 382 (400-1)		1740-1¼ 382 (400-1¼)		
CIRCLING	1800-1¼ 418 (500-1¼)	1840-1¼ 458 (500-1¼)	1840-1½ 458 (500-1½)	1940-2 558 (600-2)	

MIRL Rwy 12R-30L
HIRL Rwy 12L-30R and 12C-30C
REIL Rwy 12L and 30R

PHOENIX, ARIZONA
Amdt 1 12208

33°18'N-111°39'W

PHOENIX-MESA GATEWAY (IWA) RNAV (GPS) RWY 12C