

ILS RWY 8L (CAT III)

ATLANTA/HARTSFIELD-JACKSON ATLANTA INTL (ATL)

LOC/DME I-HFW 109.3 Chan 30	APP CRS 095°	Rwy Idg TDZE Apt Elev	8800 1015 1026
---	------------------------	-----------------------------	---

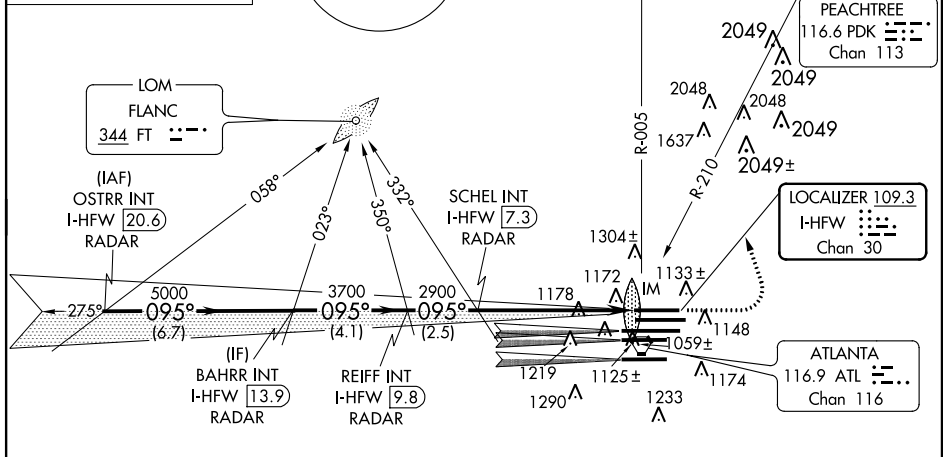
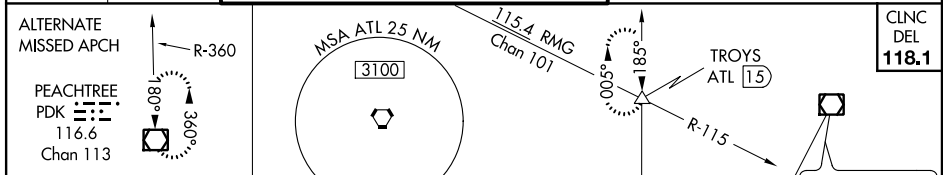
Simultaneous approach authorized with Rwy 9L or 9R or 10, or Rwys 9L and 10. ADF or DME or Radar Required.

ALSF-2



MISSED APPROACH: Climb to 1500 then climbing left turn to 3500 on ATL VORTAC R-005 to TROYS INT/ATL 15 DME and hold, or as directed by ATC.

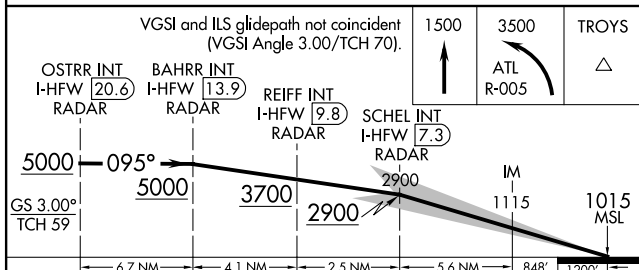
ATIS ARR 119.65 DEP 125.55	ATLANTA APP CON 127.9 379.9	ATLANTA TOWER 8L-26R 8R-26L 9L-27R 9R-27L 119.1 125.325 123.85 119.3 119.5 254.4			ALL RWYS 121.9	GND CON (8L-26R, 8R-26L) (9L-27R, 9R-27L) 121.75	ALL RWYS 254.4
--	--	---	--	--	-----------------------------	---	-----------------------------



SE-4, 07 FEB 2013 to 07 MAR 2013

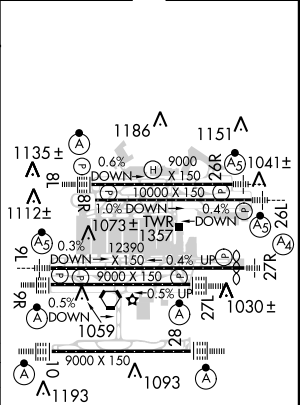
SE-4, 07 FEB 2013 to 07 MAR 2013

RADAR REQUIRED



CATEGORY	A	B	C	D
S-ILS 8L		CAT IIIa	RVR 07	
S-ILS 8L		CAT IIIb	RVR 06	
S-ILS 8L		CAT IIIc	NA	

ELEV 1026 **D** TDZE 1015



CATEGORY III ILS - SPECIAL AIRCREW & AIRCRAFT CERTIFICATION REQUIRED

HIRL all runways
TDZ/CL Rwys 8L, 9R, 10, 26R, 27L and 28

ILS RWY 8L (CAT III)